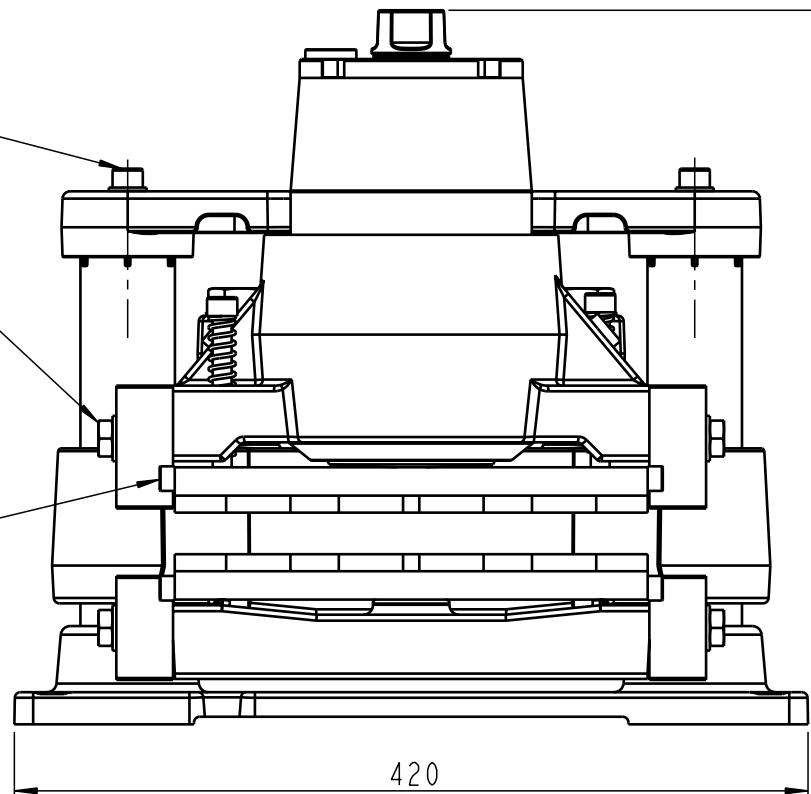


Rev.A 91662 RRH 36/00
Rev.B 92226 ECA 02/23
Rev.C 92810 RRH 14.03.2005

Denmark: Jernbanevej 9, DK-5882 Vejstrup
Germany: Kirchensrasse 42, D-32257 Bünde
China: 40B-5, No. 1765 Chuan Gao Road, Pudong, 201206 Shanghai

This drawing / document remains the property of Svendborg Brakes A/S and must not be copied without our prior written permission, and the contents thereof must not be disclosed to any third party, nor be used for any unauthorized purpose. Legal action will be taken in the event of contravention.

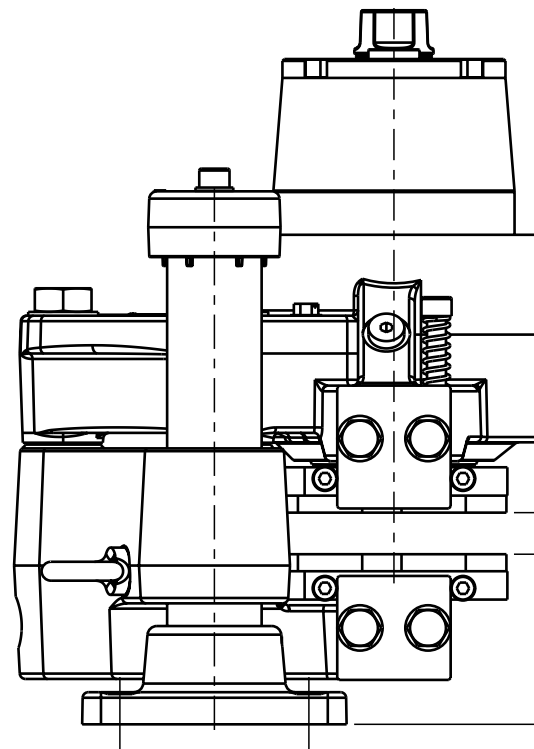


Bolts M10 Grade 8.8
Mv=44±6 Nm
Dry

Bolts M12 Grade 10.9
Mv=91±8 Nm
with MoS 2

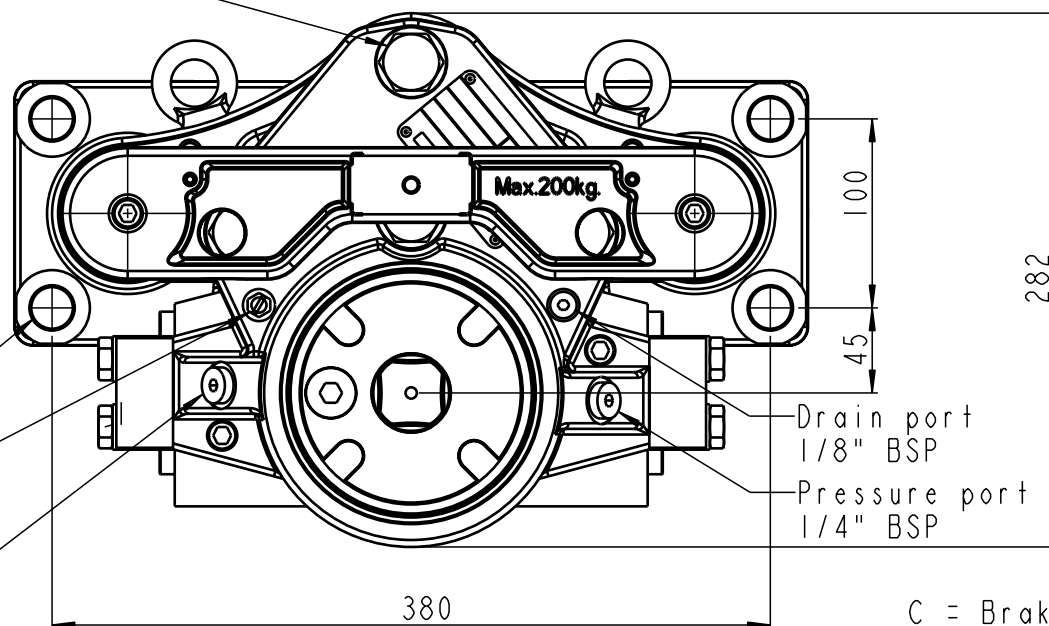
Bolts M8 Grade 8.8
Mv=23±2Nm
Dry

NB! Extra 120 needed for removal of indicators and for adjustment



Brake disc thickness = 20-40
Brake can move on shafts:
10 upwards and 5 downwards

Bolts for brakes smaller than BSF1 350:
M20 Grade 8.8
Mv=305±20 Nm
with MoS2
Bolts for brakes BSF1 350 and larger:
M20 Grade 10.9
Mv=430±20 Nm
with MoS2

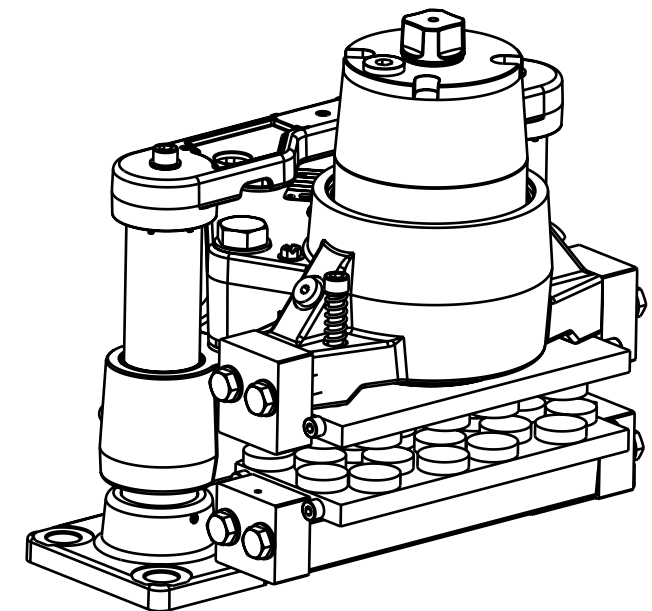


Bolts M20 Grade 8.8 (4x)
Mv=305 ± 20Nm
With MoS2
(Not included in brake)

Drain port
1/8" BSP
Pressure port
1/4" BSP

Drain port
1/8" BSP

Pressure port
1/4" BSP



C = Brake disc thickness
Mounting drawing, see drawing: 490 2334
Weight: Approx. 85 kg incl. brake pads

Tolerances for corner radii, angles, chamfers and threads according to: DS/EN 22768 - m		✓ Indicates Ra in µm	All dimensions in mm	Accep. for prod. by
Drawn by RRH	⊕	Description BSF1 300-MSXXS-300		Drw+Design checked by
Date: 09-Sep-00				Revision C
SVENDBORG BRAKES		Drawing No. 490-1870		Scale 1:4 (A3)
				Sheet 1 of 1 sheets